

# PRODUCT DATA SHEET

## ALL-PURPOSE CONNECTORS



### DESCRIPTION

All-Purpose Connectors allow thin cables to be easily connected to single-core, stranded and multi-core cables without the need for any tools. This product is also 40 percent smaller in size than others, while also providing 40 percent savings. Its transparent body structure allows the cable to be placed correctly and at an appropriate length. It allows it to be stripped.

### FEATURES

Ability to connect all cables.

Flexible applicability.

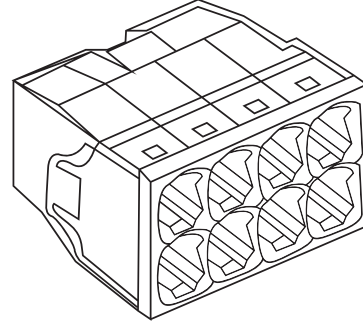
Operating Temperature: - 40°C --- +105°C

Rated Current: 32A

Rated Voltage: 450V

# PRODUCT DATA SHEET

## ALL-PURPOSE CONNECTORS



### SECTIONS AND DIMENSIONS

| PRODUCT CODE | CABLE SECTION                 | DESCRIPTION           |
|--------------|-------------------------------|-----------------------|
| GW - 412     | 0,14 - 4,0<br>mm <sup>2</sup> | 2 Conductive Coupling |